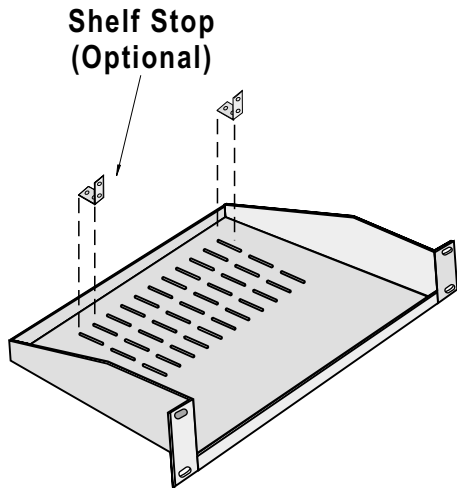
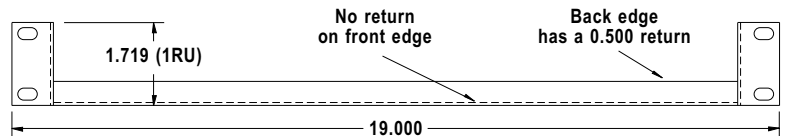
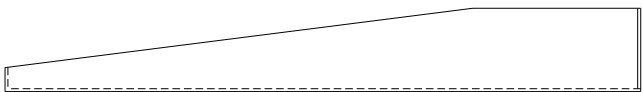
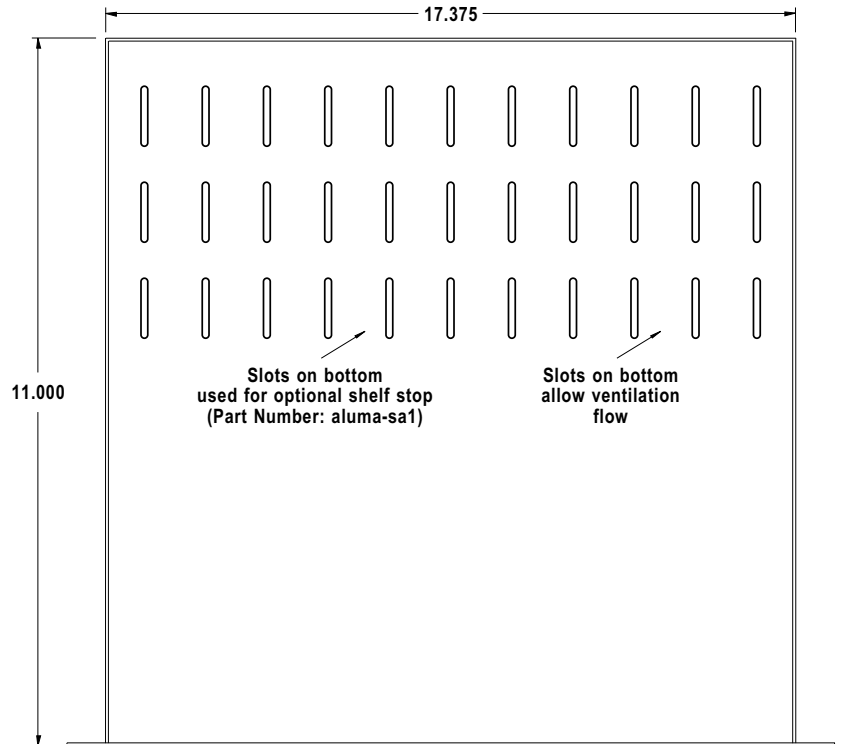


# HEAVY DUTY UTILITY RACK SHELVE

(Part Number: *aluma-011*)



Fabricated From 16ga Steel  
Painted Black Powder Coat



For Express Order Placement Call:

**1-800-431-5356**

[www.alumainc.com](http://www.alumainc.com) (email: [info@alumainc.com](mailto:info@alumainc.com))

